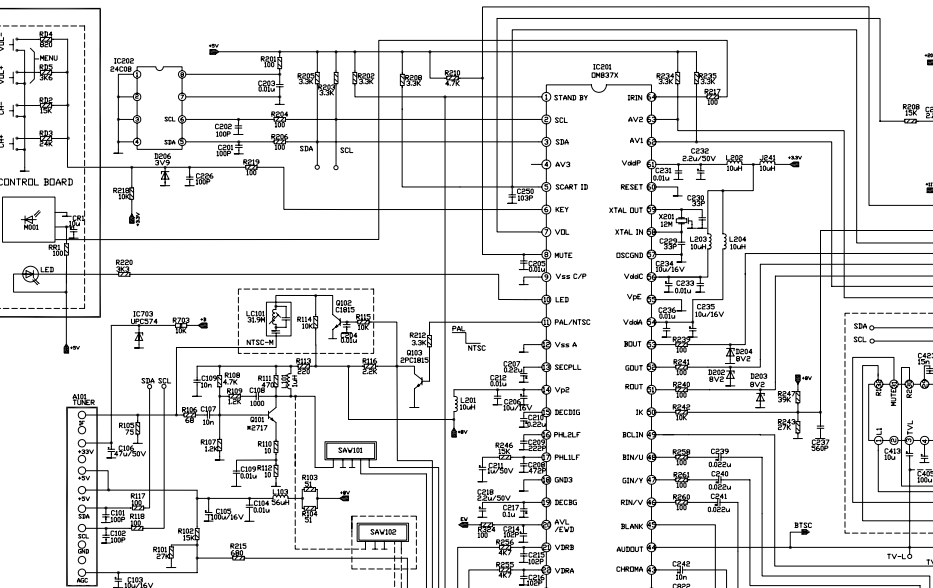


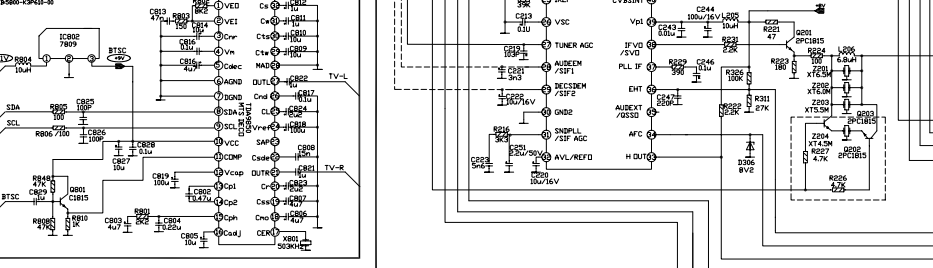
SCHEMATIC DIAGRAM FOR 3P61 MAIN BOARD

PCB900-3P61-02

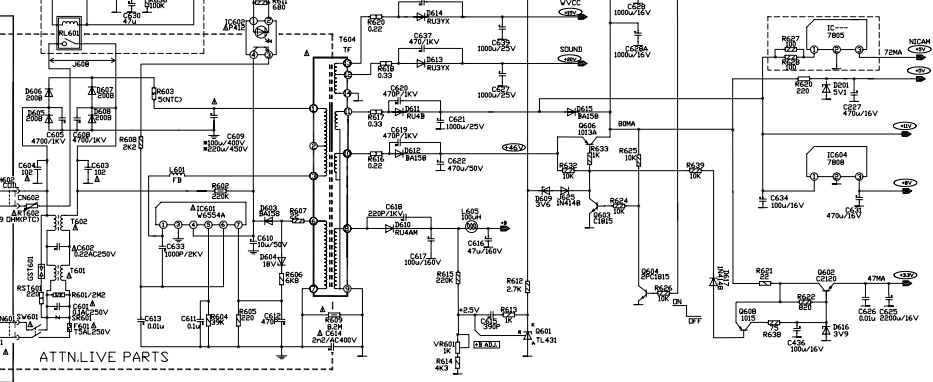


SCHEMATIC DIAGRAM FOR 3P61 BTSC

PCB900-3P61-03

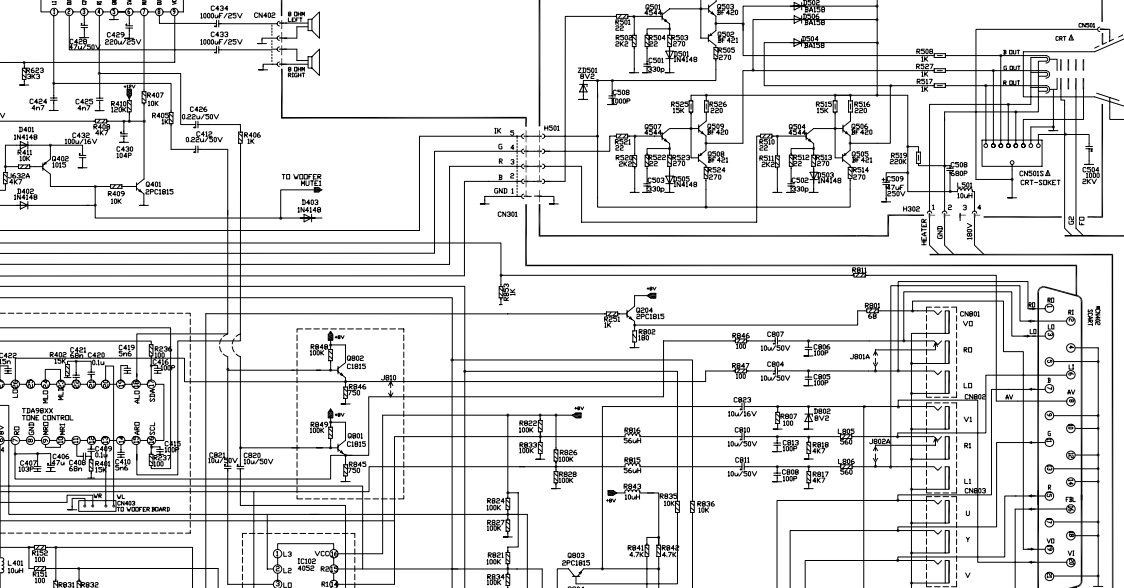


ATTN:LIVE PARTS



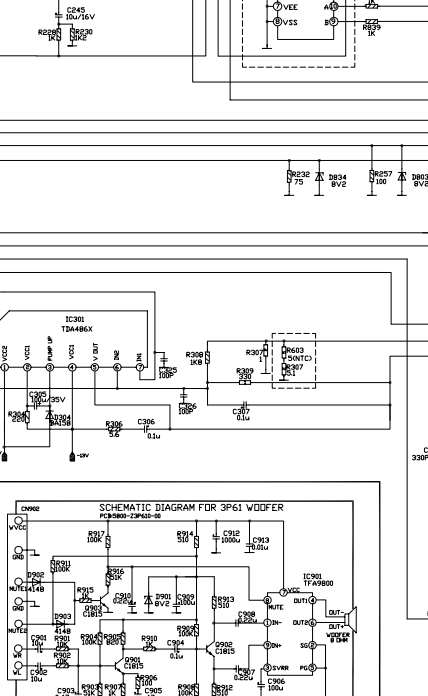
SCHEMATIC DIAGRAM FOR 3P61 CRT BOARD

PCB900-3P61-04



SCHEMATIC DIAGRAM FOR 3P61 WOOFER

PCB900-3P61-05



3P61 Chassis Schematic Diagram  
 NOTE: Some Functions are optional, some parts are subject to change without prior notice. This diagram is only for reference.